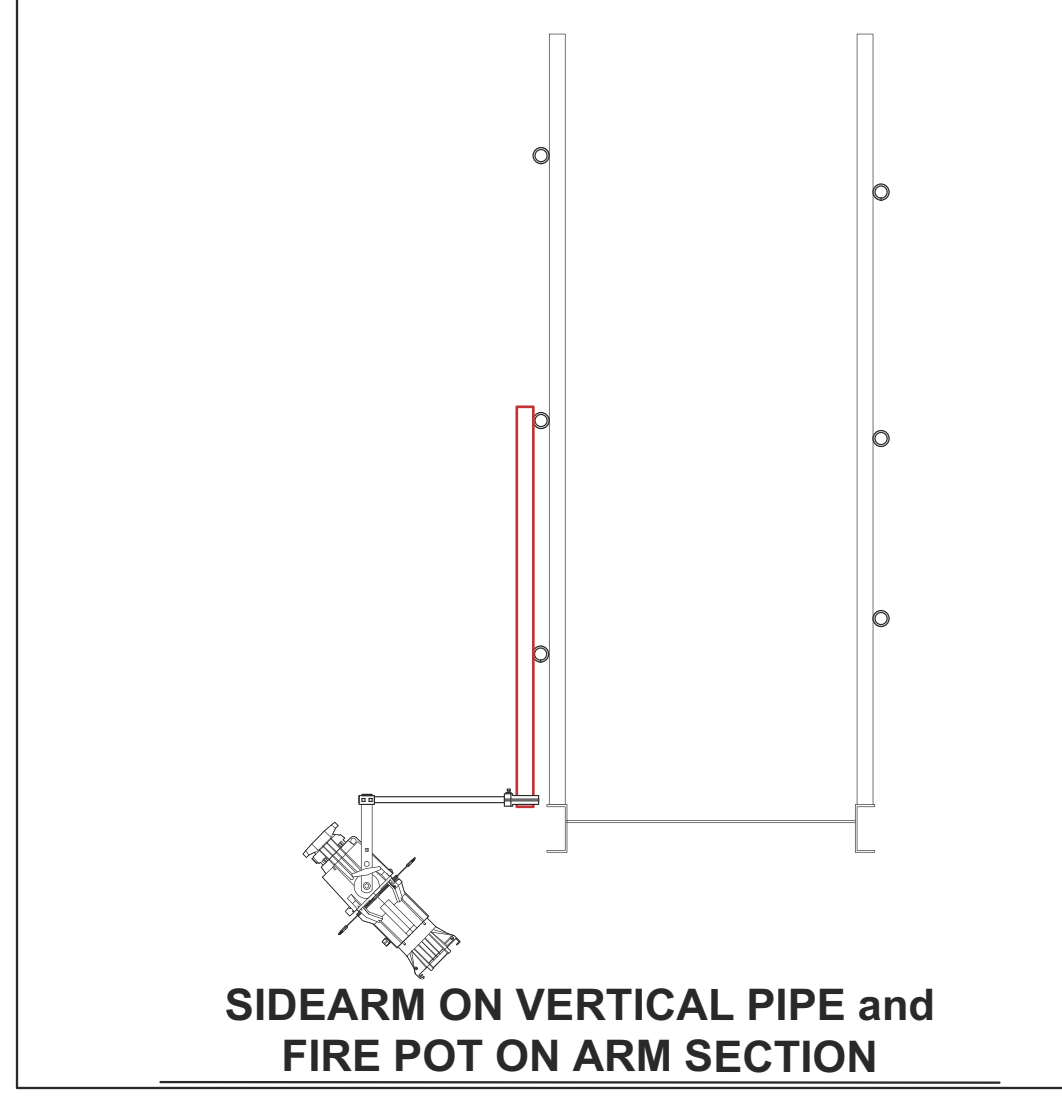
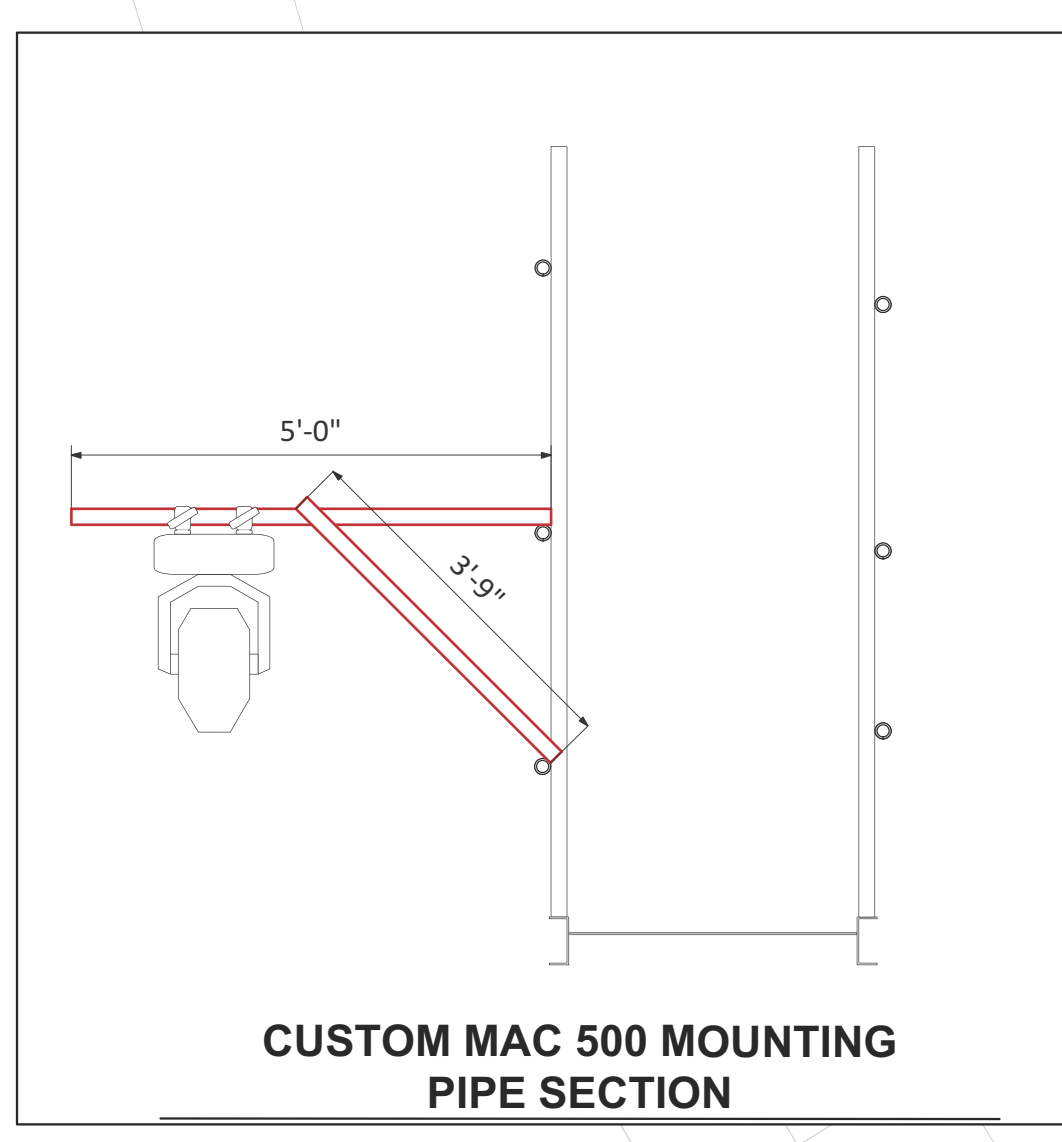
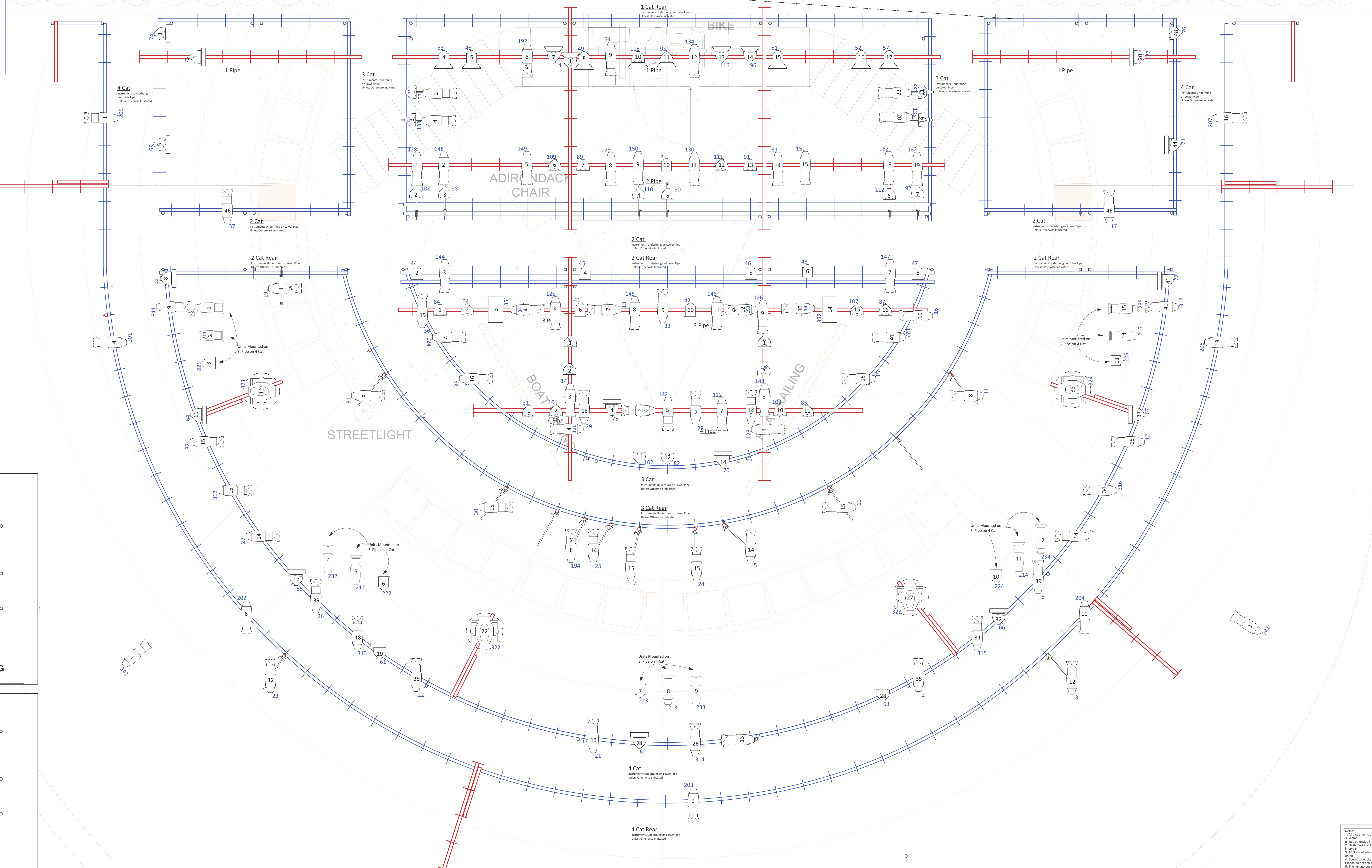
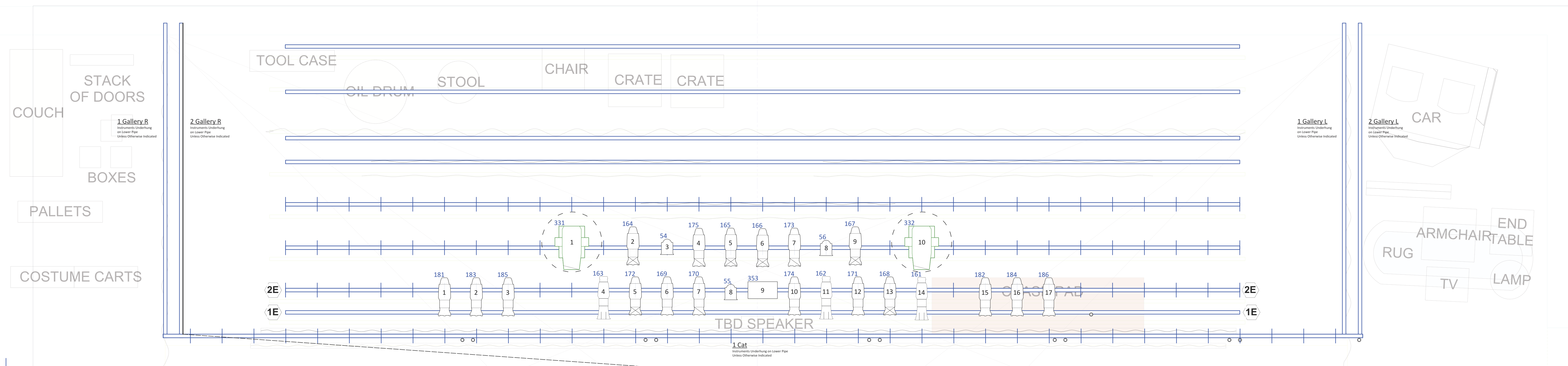


- 8 Grid
- 7 Grid
- 6
- 5
- 4
- 3 22'2" 2E
- 2 23'3" 1E
- 1



- Legend:**
- Gogo Rotorator Unit Number
 - Wastage Channel
 - Unit Number
 - Channel
 - 7.5" Barndoor
 - Unit on Deck Plate
 - Unit on Sidearm on Vertical Pipe
 - Unit Yoked Out 90 Degrees
- Symbols:**
- Sourc4 14 Degree
 - Sourc4 19 Degree
 - Sourc4 25 Degree
 - Sourc4 36 Degree
 - Sourc4 50 Degree
 - Sourc4 70 Degree
 - Sourc4 PAR Wide Flood
 - 6" Altman Fresnel (Beer Style)
 - Vertice VL3500 Spot
 - Vertice VL3200G Spot
 - Martin Mac 500
 - Martin Atomic 3000
 - PAR16 Brite 3000

Hang Plot
 Plate 1 of 2
 Ruth Caplan Theater
 November 2015
 Scale: 1/2" = 1' Version: 1 10/20/15

UVA Drama Presents

Director: Matthew Thales
 Lighting Designer: Matthew Thales
 Technical Director: Steven Spica
 Master Electrician: Steven Spica

Notes:
 1. All equipment are spaced 10' C-to-C unless otherwise indicated.
 2. Spot marks on lighting positions indicate 10' spacing.
 3. 10' spacing is used for all other equipment.
 4. 10' spacing is used for all other equipment.
 5. This lighting plot is not a contract. It is a guide only. The lighting designer is not responsible for the lighting design. The lighting designer is not responsible for the lighting design. The lighting designer is not responsible for the lighting design.
 6. The lighting designer is not responsible for the lighting design. The lighting designer is not responsible for the lighting design. The lighting designer is not responsible for the lighting design.
 7. The lighting designer is not responsible for the lighting design. The lighting designer is not responsible for the lighting design. The lighting designer is not responsible for the lighting design.
 8. The lighting designer is not responsible for the lighting design. The lighting designer is not responsible for the lighting design. The lighting designer is not responsible for the lighting design.
 9. The lighting designer is not responsible for the lighting design. The lighting designer is not responsible for the lighting design. The lighting designer is not responsible for the lighting design.
 10. The lighting designer is not responsible for the lighting design. The lighting designer is not responsible for the lighting design. The lighting designer is not responsible for the lighting design.

